

McCULLOCH®

PARTNER

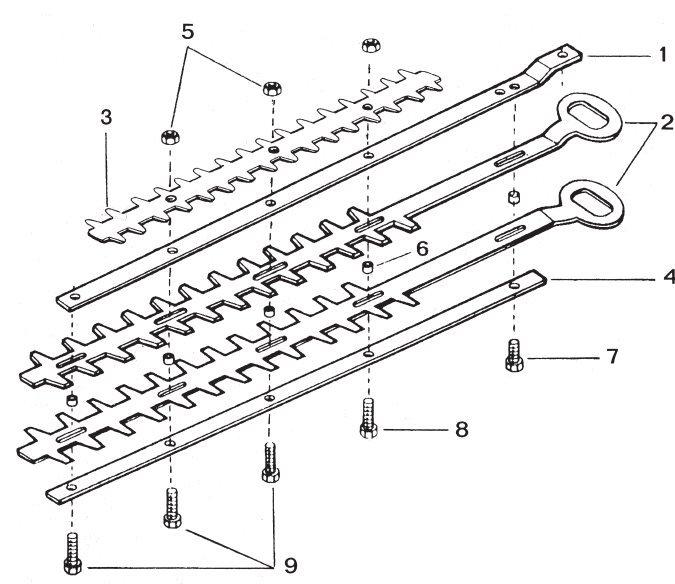
ILLUSTRATED PARTS LIST

TIVOLI 45-60 EUROMAC H60 PARTNER PH25

SERIAL NUMBER PREFIX 06



June 2002



TIVOLI 45			
	PN McC	PN ELX	
1	229912	538229912	2
C 2	227727	538227727	2
3	241012	538241012	1
4	229756	538229756	1
B 5	229208	538229208	2
B 6	227769	538227769	4
B 7	229563	538229563	M5x10 1
B 8	229959	538229959	M5x20 1
B 9	229561	538229561	M5x16 2

TIVOLI 60 - H 60 - PH25			
	PN McC	PN ELX	
1	229913	538229913	1
C 2	227726	538227726	2
3	241012	538241012	1
4	229754	538229754	1
B 5	229208	538229208	3
B 6	227769	538227769	5
B 7	229563	538229563	M5x10 1
B 8	229959	538229959	M5x20 1
B 9	229561	538229561	M5x16 3

FIGURE 3

WALBRO WT 547			
1	241601	538241601	carbur.
B 1	• 324013	538324013	1
A 2	•• 324009	538324009	1
C 3	• 225834	538225834	1
4	• 224466	538224466	1

ZAMA C1Q M38			
C -	241824	538241824	carbur.
B 1	• 300465	538300465	1
A 2	•• 300473	538300473	1
C 3	• 246946	538246946	1

FIGURE 4

A = high moving - alta rotazione - haute demande - große Nachfrage
 B = medium moving - media rotazione - moyenne demande - mittelmäßige Nachfrage
 C = slow moving - bassa rotazione - basse demande - wenige Nachfrage

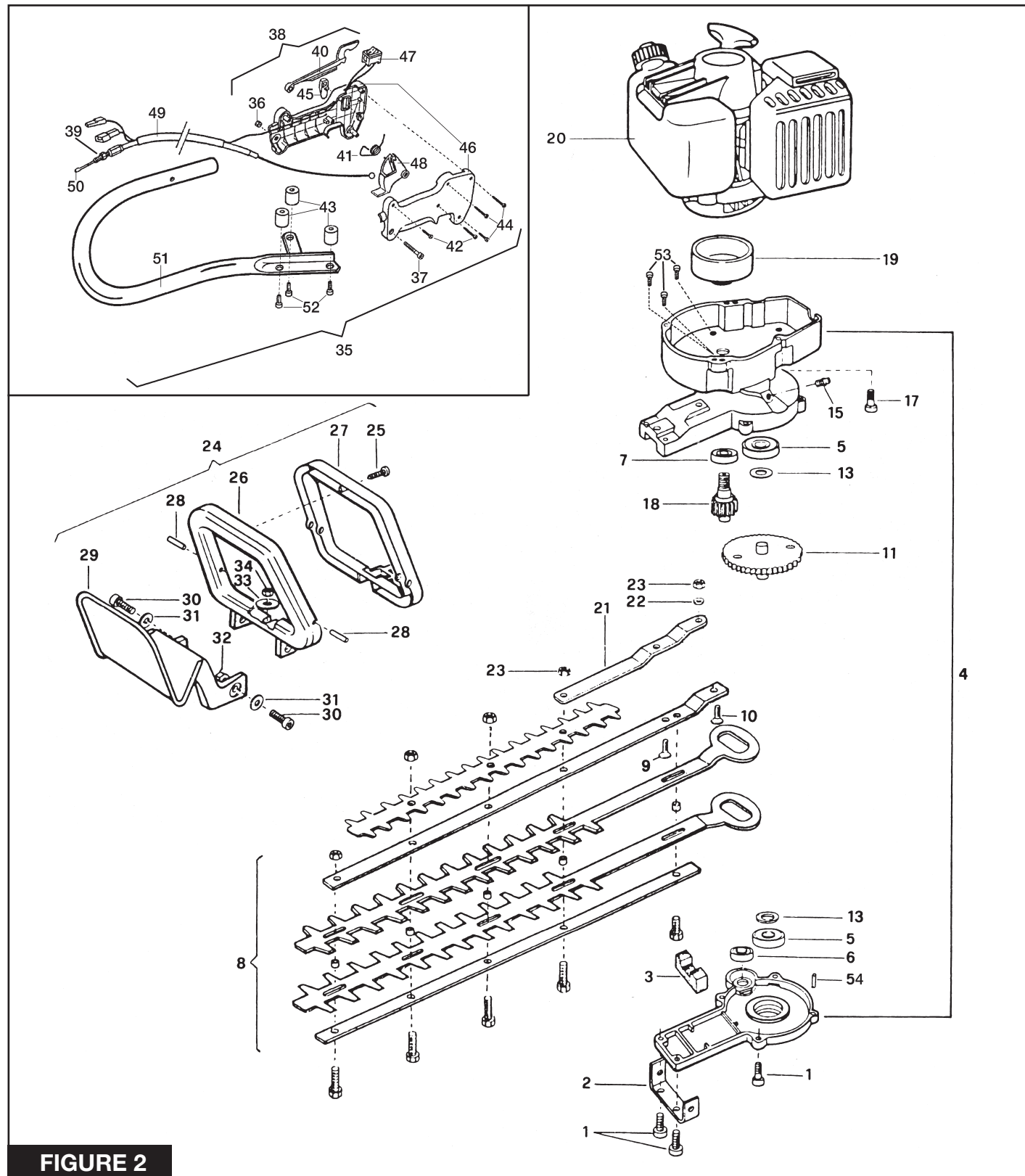


FIGURE 2

	PN McC	PN ELX		PN McC	PN ELX		PN McC	PN ELX		PN McC	PN ELX	
1	229077	538229077	M5x18	6	18	229914	538229914	1	32	235912	538235912	
2	229910	538229910	1	C19	242142	538242142	1	33	235107	538235107	1	
C 3	229970	538229970	1	20	FIGURE 1			34	229208	538229208	1	
4	248113	538248113	1	21	229911	538229911	1	35	242409	538242409	1	
5	● 228958	538228958	2	22	236529	538236529	1	36	● 235216	538235216	1	
6	● 235914	538235914	1	23	229208	538229208	2	37	● 235804	538235804	1	
7	● 235897	538235897	1	24	225627	538225627	1	38	● 242404	538242404	1	
8	FIGURE 3			25	● 227251	538227251	1	39	● 229207	538229207	1	
9	228924	538228924	M5x20	1	26	● 229761	538229761	1	40	● 229820	538229820	1
10	229972	538229972	M5x25	1	27	● 229762	538229762	1	41	● 240091	538240091	1
C11	229919	538229919	1	28	● 229772	538229772	2	42	● 240618	538240618	2	
13	235164	538235169	2	29	229760	538229760	1	C43	● 235987	538235987	3	
15	228861	538228861	1	30	235214	538235214	M6x20	2	44	● 240833	538240833	3
17	235801	538235801	M4x16	4	31	236936	538236936	2	45	● 241292	538241292	1

A = high moving - alta rotazione - haute demande - große Nachfrage B = medium moving - media rotazione - moyenne demande - mittelmäßige Nachfrage C = slow moving - bassa rotazione - basse demande - wenige Nachfrage

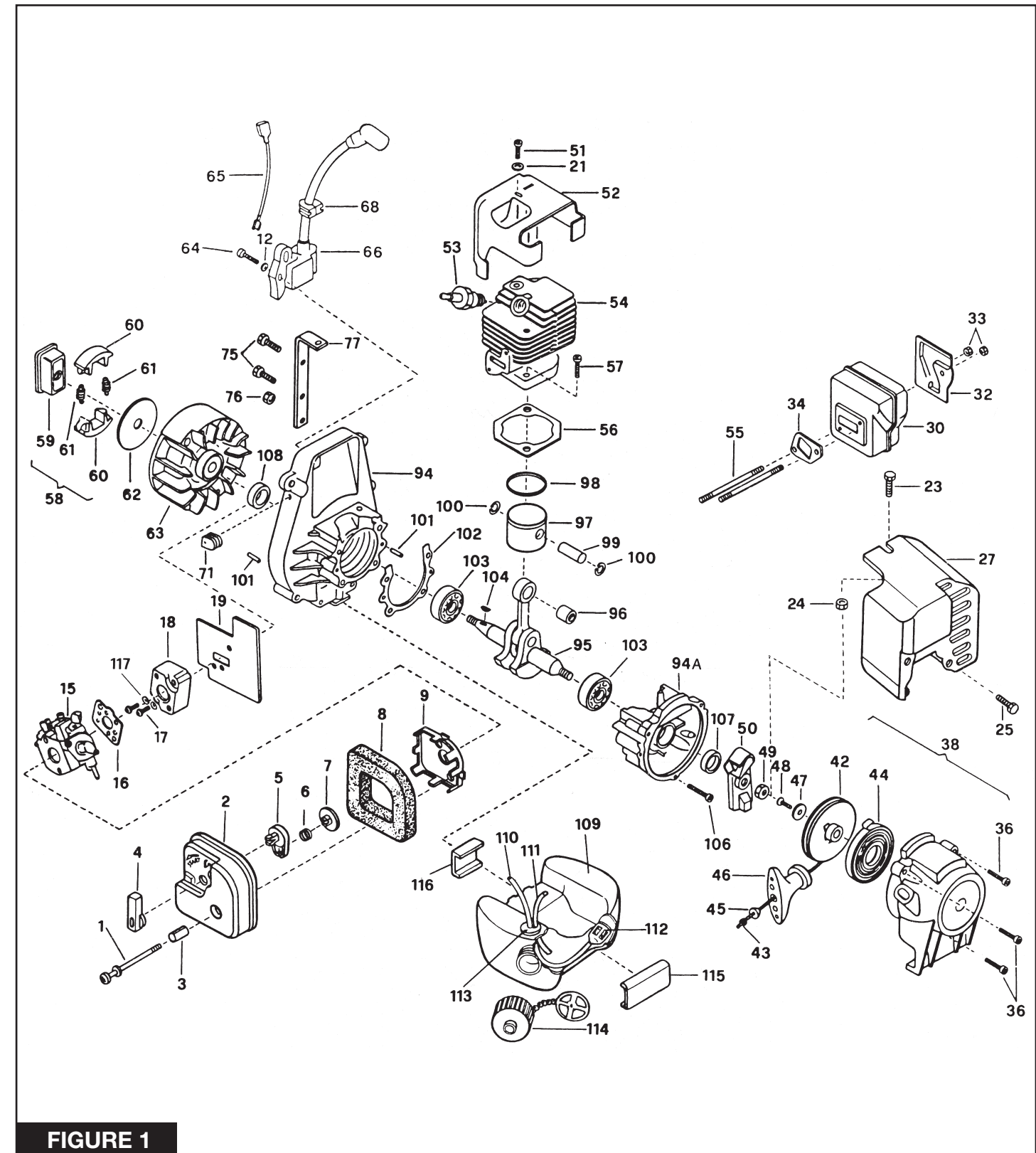


FIGURE 1

	PN McC	PN ELX		PN McC	PN ELX		PN McC	PN ELX		PN McC	PN ELX	
1	227274	538227274	M5x60	2	24	235431	538235431	1	50	241784	538241784	
C 2	241677	538241677	1	25	241976	538241976	M4x12	1	51	236381	538236381	
3	241705	538241705	2	27	229103	538229103	1	52	241757	538241757	1	
4	235819	538235819	1	26	235612	538235612	3	A53	92879	538092879	1	
5	235820	538235820	1	30	242131	538242131	1	C54	302000	538302000	1	
6	235822	538235822	1	C34	241799	538241799	1	55	241804	538241804	2	
7	241602	538241602	1	33	235642	538235642	2	B56	241598	538241598	1	
B 8	241640	538241640	1	36	241963	538241963	M4x22	3	57	236933	538236933	
9	241704	538241704	1	C38	241614	538241614	1	B58	241792	538241792	1	
12	235248	538235248	2	B42	● 241620	538241620	1	59	● 241789	538241789	1	
C 15	FIGURE 4			A43	● 241746	538241746	1	60	● 241790	538241790	2	
A 16	241600	538241600	1	B44	● 241619	538241619	1	A61	● 241794	538241794	2	
17	235806	538235806	M5x20	2	45	● 235612	538235612	1	62	241604	538241604	1
C 18	241750	538241750	1	46	241778	538241778	1	63	241796	538241796	1	
B 19	241643	538241643	1	47	● 241703	538241703	1	64	235806	538235806		
21	235248	538235248	1	48	● 300294	538300294	1	65	241606	538241606	1	
23	241976	538241976	M4x12	1	49	241624	538241624	1	C66	241749	538241749	1
									68	236322	538236322	1
									71	241607	538241607	1
									75	241976	538241976	M4x12
									76	235431	538235431	1
									77	228884	538228884	1
									94	241748	538241748	1
									95	241805	538241805	1
									96	● 235742	538235742	1
									C97	248177	538248177	1
									B98	● 240002	538240002	1
									99	● 241735	538241735	1
									100	● 235008	538235008	2
									101	241597	538241597	4
									102	241595	538241595	1
									103	241594	538241594	2
									C104	227631	538227631	1
									106	235804	538235804	M5x30
									C107	241596	538241596	1
									C108	241596	538241596	1
									C109	241106	538241106	1
									B110	● 229132	538229132	1
									B111	229743	538229743	1
									A112	● 93720	538093720	1
									C113	● 235675	538235675	1
									B114	223508	538223508	1
									115	241611	538241611	1
									116	241612	538241612	1
									117	235248	538235248	2

A = high moving - alta rotazione - haute demande - große Nachfrage B = medium moving - media rotazione - moyenne demande - mittelmäßige Nachfrage C = slow moving - bassa rotazione - basse demande - wenige Nachfrage